

VE3 900 RPM Electric Vibrators

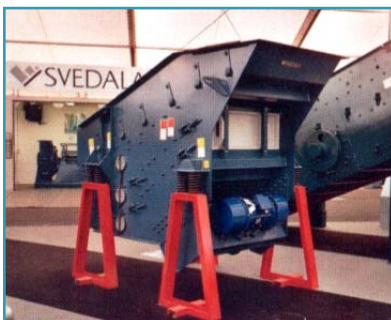
VE3 / 900 vibrator series is designed for those applications requiring extremely high amplitude.

All units are continuous duty even at maximum force output.

Force output is precisely adjustable from 20% to 100%.



PERFORMANCE DATA								
MODEL	FORCE OUTPUT	UNBALANCE	HP	AMP DRAW 460 V	AMP DRAW 230 V	STARTUP CURRENT MULTIPLIER	FRAME	WEIGHT
	lbs	in -lbs	h.p.	Amps	Amps			lbs
VE3/9/380	396	16	0.30	0.51	1.02	1.8	03	57
VE3/9/550	561	24	0.40	0.65	1.3	2.25	04-A	76
VE3/9/850	871	38	0.48	0.75	1.5	2.5	04-B	90
VE3/9/1500	1646	72	0.67	1.2	2.4	2.6	15-A	125
VE3/9/2000	2405	105	0.80	1.4	2.8	2.7	15-B	154
VE3/9/3000	3245	141	1.47	2.3	4.6	3.5	20	209
VE3/9/3900	3993	173	1.55	2.4	4.8	3.3	20	238
VE3/9/5000	5166	225	2.41	3.9	7.8	3.8	30	304
VE3/9/8000	8140	354	3.22	5.3	10.6	4.6	50	422
VE3/9/12000	12423	540	6.70	8.8	17.6	3.6	70	603
VE3/9/15000	15239	667	8.72	10.5	21	3.3	70-B	697
VE3/9/18000	17224	749	9.4	11.2	22.4	3.5	120-A	880
VE3/9/21000	21399	930	10.7	13	26	3.2	120-B	1034
VE3/9/24000	23923	1040	11.4	13.4	27	3.4	120-C	1067
VE3/9/30000	30800	1310	13.1	17.4	35	5.4	150-A	1507
VE3/9/40000	39310	1710	15.5	21	42	5.9	150-B	1573
VE3/9/50000	54670	2377	18.5	24.4	49	5.6	200	2134



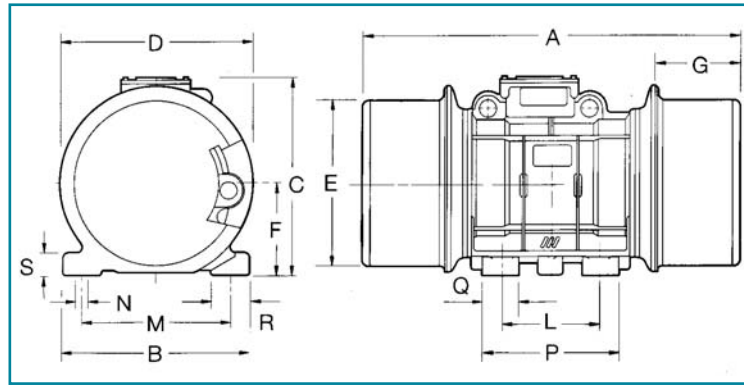
The **VE3 / 900** is widely used

with **vibratory screeners** for product sizes usually larger than 2"

with high capacity **vibratory feeders** and **grinding mills**



DIMENSIONS



DIMENSIONS															
MODEL	A	B	C	D	E	F	G	L	M	N	P	Q	R	S	BOLT HOLE NBR
VE3/9/380	13.78	7.48	8.07	7.36	5.94	3.35	3.35	3.94	6.30	0.51	5.35	1.30	1.57	0.63	4
VE3/9/550	13.98	8.27	9.29	8.50	7.13	3.98	2.80	4.72	6.70	0.67	6.30	1.57	1.69	0.79	4
VE3/9/850	16.34	8.27	9.29	8.50	7.13	3.98	3.98	4.72	6.70	0.67	6.30	1.57	1.69	0.79	4
VE3/9/1500	19.21	9.65	10.24	10.16	8.62	4.80	4.21	5.51	7.48	0.67	7.48	1.57	1.77	0.98	4
VE3/9/2000	21.42	9.65	10.24	10.16	8.62	4.80	5.31	5.51	7.48	0.67	7.48	1.57	1.77	0.98	4
VE3/9/3000	22.83	10.83	12.20	10.94	9.41	5.20	5.35	6.10	8.86	0.83	8.07	1.97	2.17	1.18	4
VE3/9/3900	25.00	10.83	12.20	10.94	9.41	5.20	6.26	6.10	8.86	0.83	8.07	1.97	2.17	1.18	4
VE3/9/5000	24.02	12.80	13.54	12.80	11.14	6.18	5.39	6.14	10.08	0.91	8.66	2.17	2.36	1.38	4
VE3/9/8000	27.44	13.39	14.72	13.98	12.17	6.77	6.30	7.09	11.02	0.98	9.45	2.36	2.56	1.57	4
VE3/9/12000	30.79	15.35	16.26	15.67	13.66	7.52	6.97	7.87	12.6	1.10	11.02	2.95	3.07	1.77	4
VE3/9/15000	33.31	15.35	16.26	15.67	13.66	7.52	7.95	7.87	12.6	1.10	11.02	2.95	3.07	1.77	4
VE3/9/18000	34.65	17.91	17.64	18.11	16.18	8.86	8.07	5.12 * 2	14.76	1.26	13.39	3.39	3.27	1.97	6
VE3/9/21000	35.43	17.91	17.64	18.11	16.18	8.86	8.07	5.12 * 2	14.76	1.26	13.39	3.39	3.27	1.97	6
VE3/9/24000	35.43	17.91	17.64	18.11	16.18	8.86	8.07	5.12 * 2	14.76	1.26	13.39	3.39	3.27	1.97	6
VE3/9/30000	37.44	22.64	21.65	21.46	19.57	10.63	6.61	5.51 * 3	18.90	1.77	20.47	3.54	3.94	1.77	8
VE3/9/40000	39.96	22.64	21.65	21.46	19.57	10.63	8.58	5.51 * 3	18.90	1.77	20.47	3.54	3.94	1.77	8
VE3/9/50000	43.30	24.21	23.62	23.42	21.30	11.81	8.66	5.51 * 3	20.47	1.77	21.45	3.54	3.94	1.97	8

FEATURES

Housing is in a ductile cast iron that combines high structural strength with remarkable mechanical flexibility.

Core laminations are with low energy loss to help motor not to overheat during operation

Coating is highly resistant to impacts, corrosion and a variety of harmful chemical agents.

Units use uniquely oversized bearings designed to carry large axial and radial forces.

All units are with roller bearing with grease fittings reaching both sides of the bearing. No more dry bearings in vertical applications.



Chicago Vibrator Products
Flow and Compaction

Division of CVP Group

800-842-7284 (P)

866-247-7538 (F)

Solutions@ChiVib.com

www.ChicagoVibrator.com